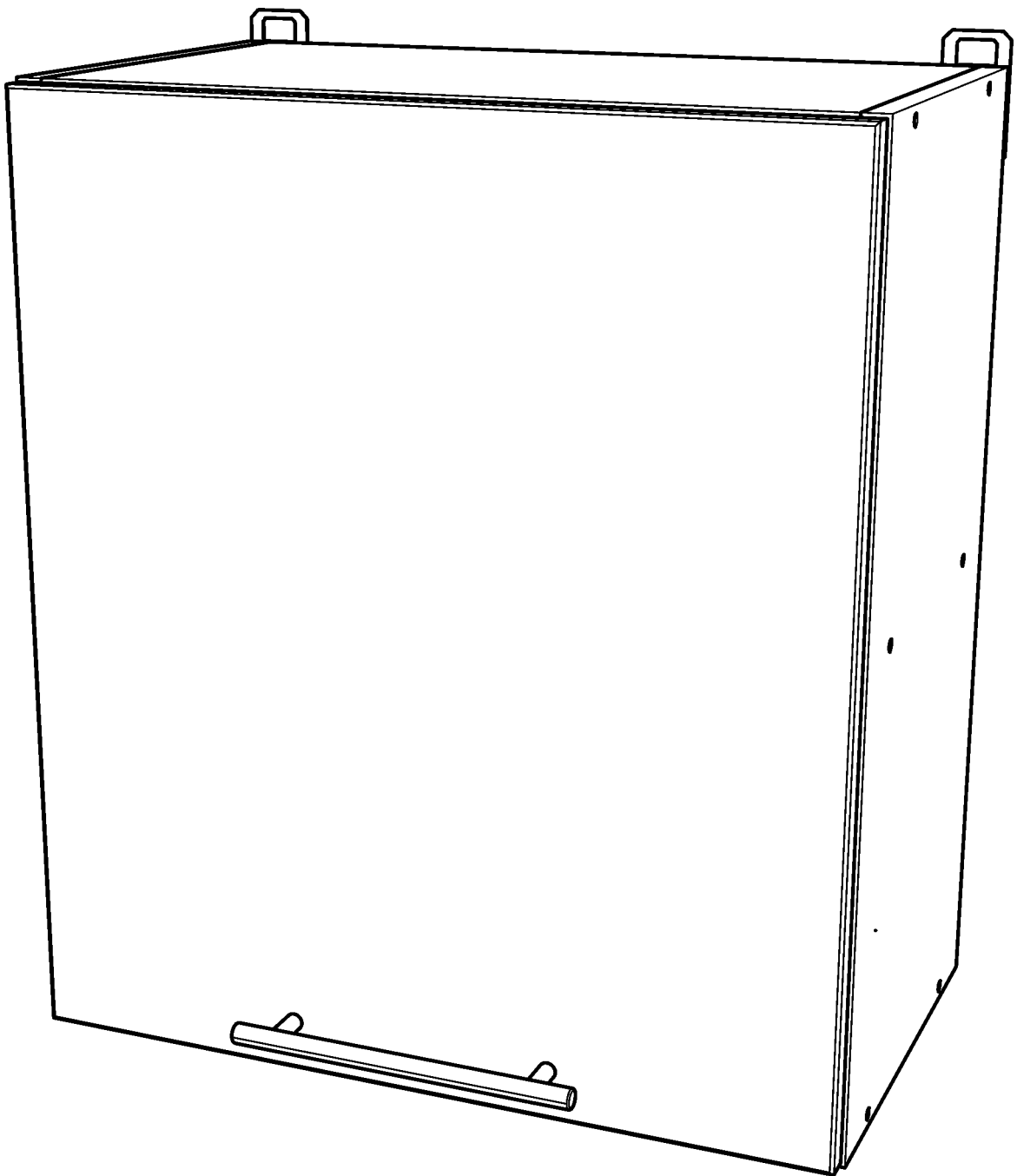


# 500 ECO

408/508 ECO (500x575x296)

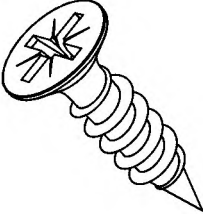
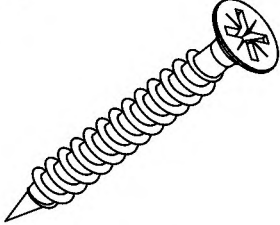
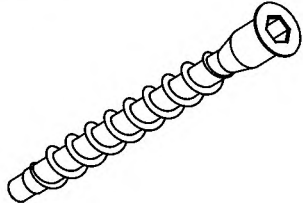
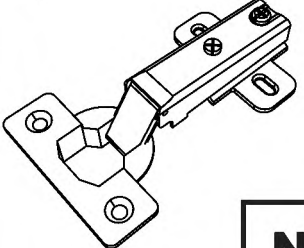
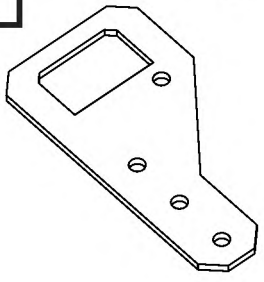
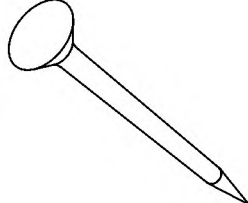
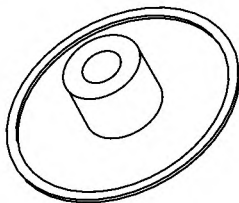


**1** 575x280-2

**2** 468x280-3

**3** 495x570-1

**4** 570x495-1

<b>1</b> 8 x  3,5x16	<b>2</b> 10 x  4x30	<b>3</b> 12 x 	<b>4</b> 2 x  <b>N</b>
<b>5</b> 2 x 	<b>6</b> 35 x 	<b>7</b> 12 x 	<b>8</b> 1 x 