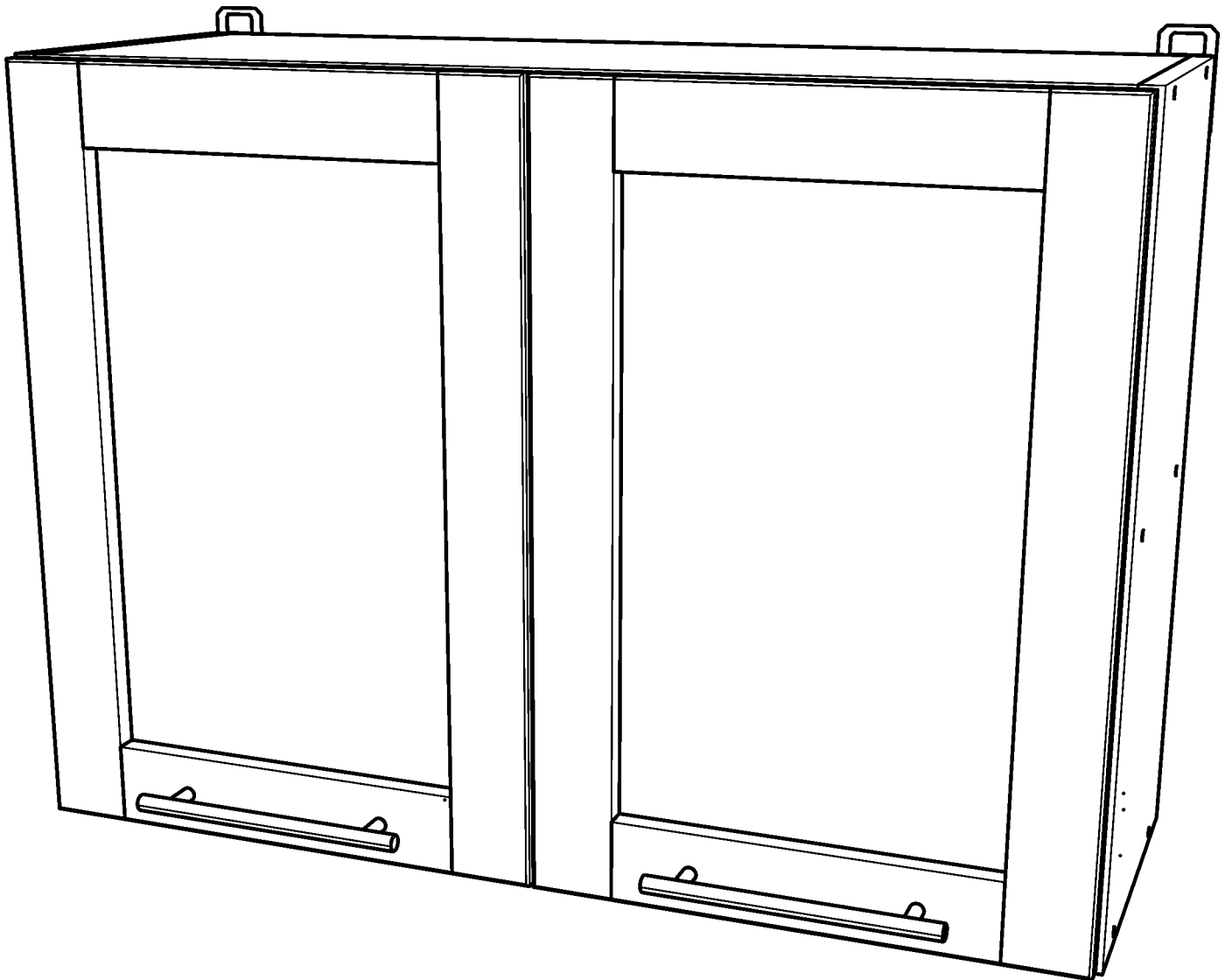


# 800 ECO

402/502 ECO (800x575x296)



① 575x280-2

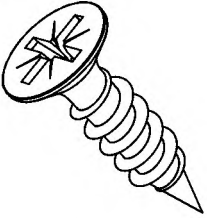
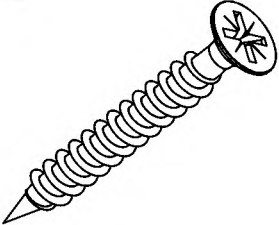
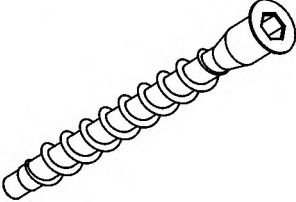
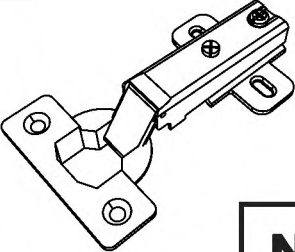
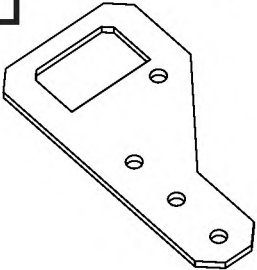
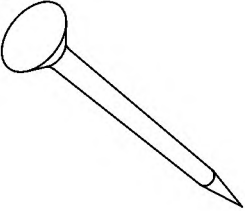
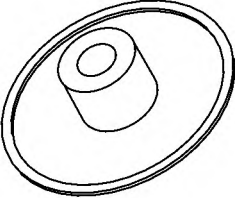
② 768x280-2

③ 768x270-1

④ 395x570-2

⑤ 570x398-2

⑥ 540mm-1

<p>1 18 x</p>  <p>3,5x16</p>	<p>2 12 x</p>  <p>4x30</p>	<p>3 12 x</p> 	<p>4 4 x</p>  <p>N</p>
<p>5 2 x</p> 	<p>6 45 x</p> 	<p>7 12 x</p> 	<p>8 2 x</p> 